

POWER SOURCE



PLDC-P1MP-SCT

DC Adapter

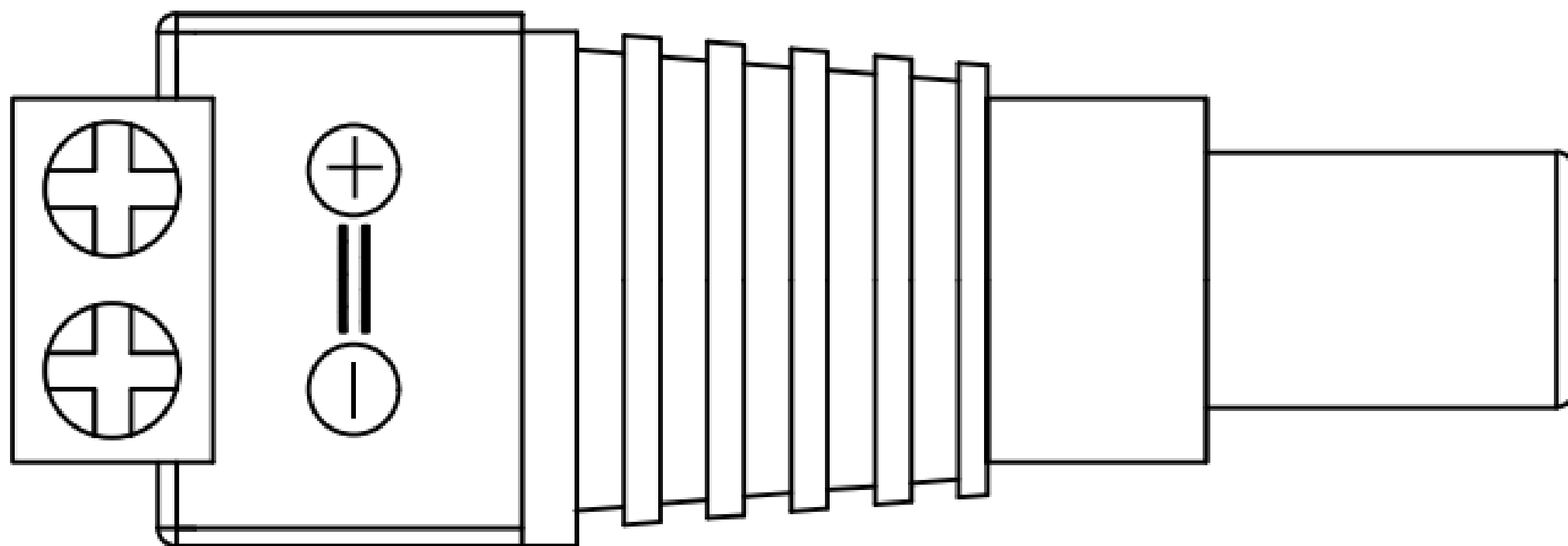
100% Functional Tested

RoHS Compliant



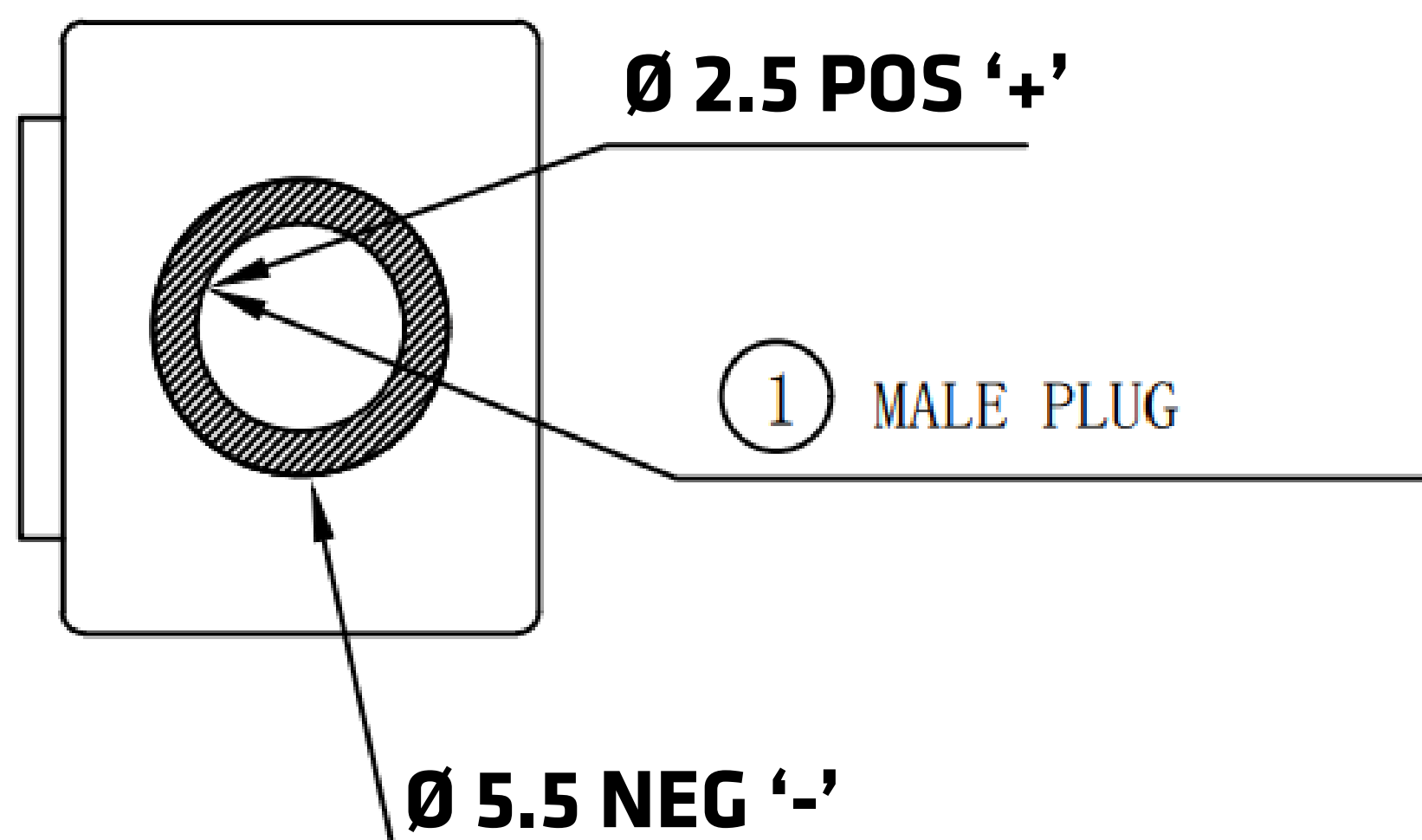
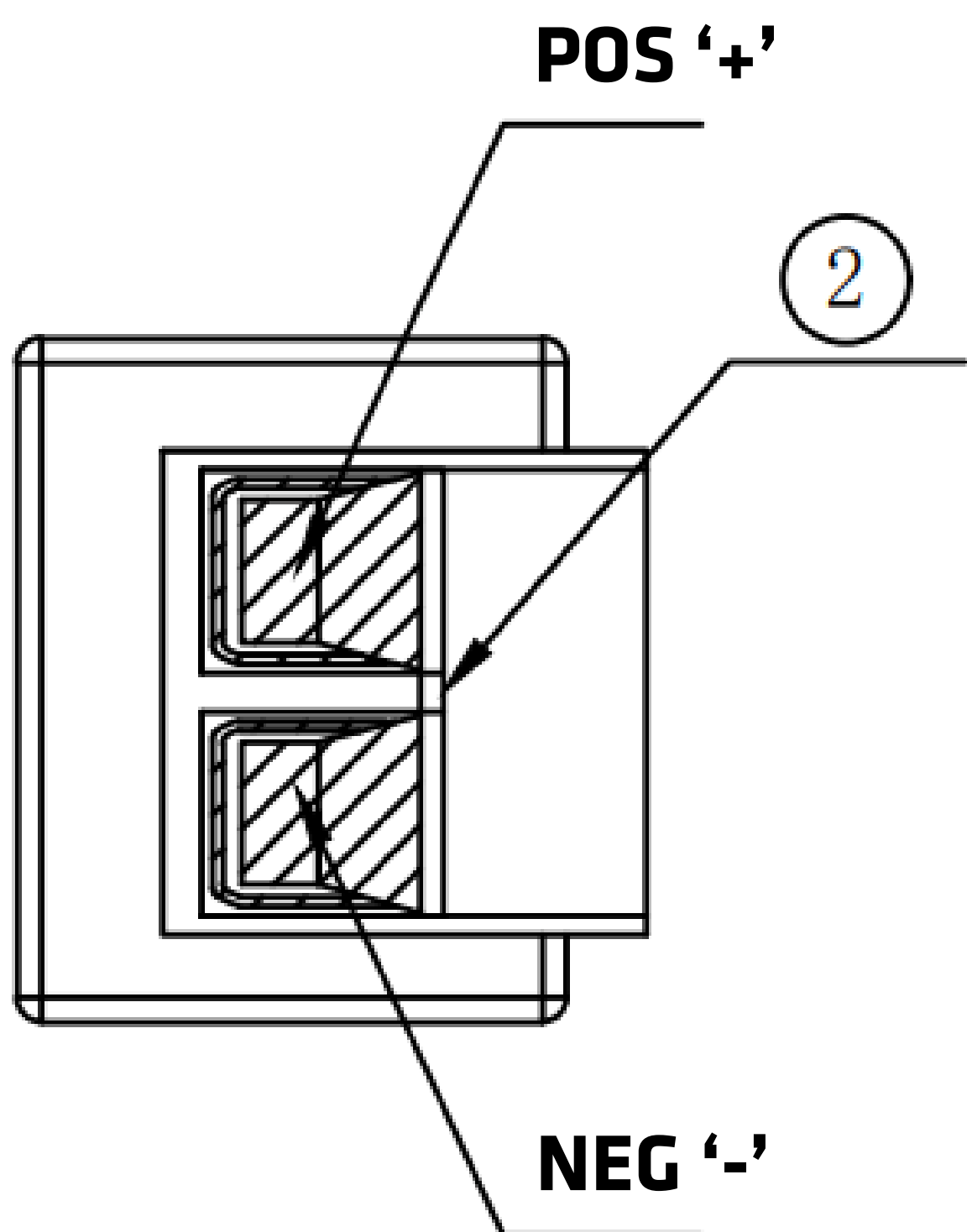
**1 YEAR
WARRANTY**

Connector A	2.5/5.5mm Plug	Connector B	Screw Terminals
Barrel length	11±0.5	Colour	Black + Green
Insulation Resistance	10M Ω MIN / DV 300V / 10ms	Conducting Resistance	1 OHM Max
Max Rating	7A		



Connector A

Connector B



①	CONN	MALE PLUG	1	PCS
②	CONN	GREEN TERMINAL	1	PCS