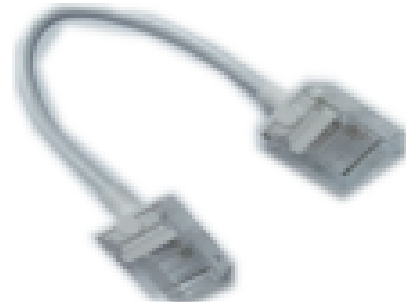
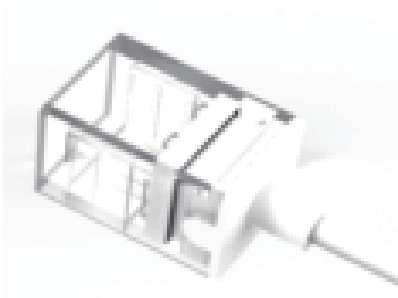


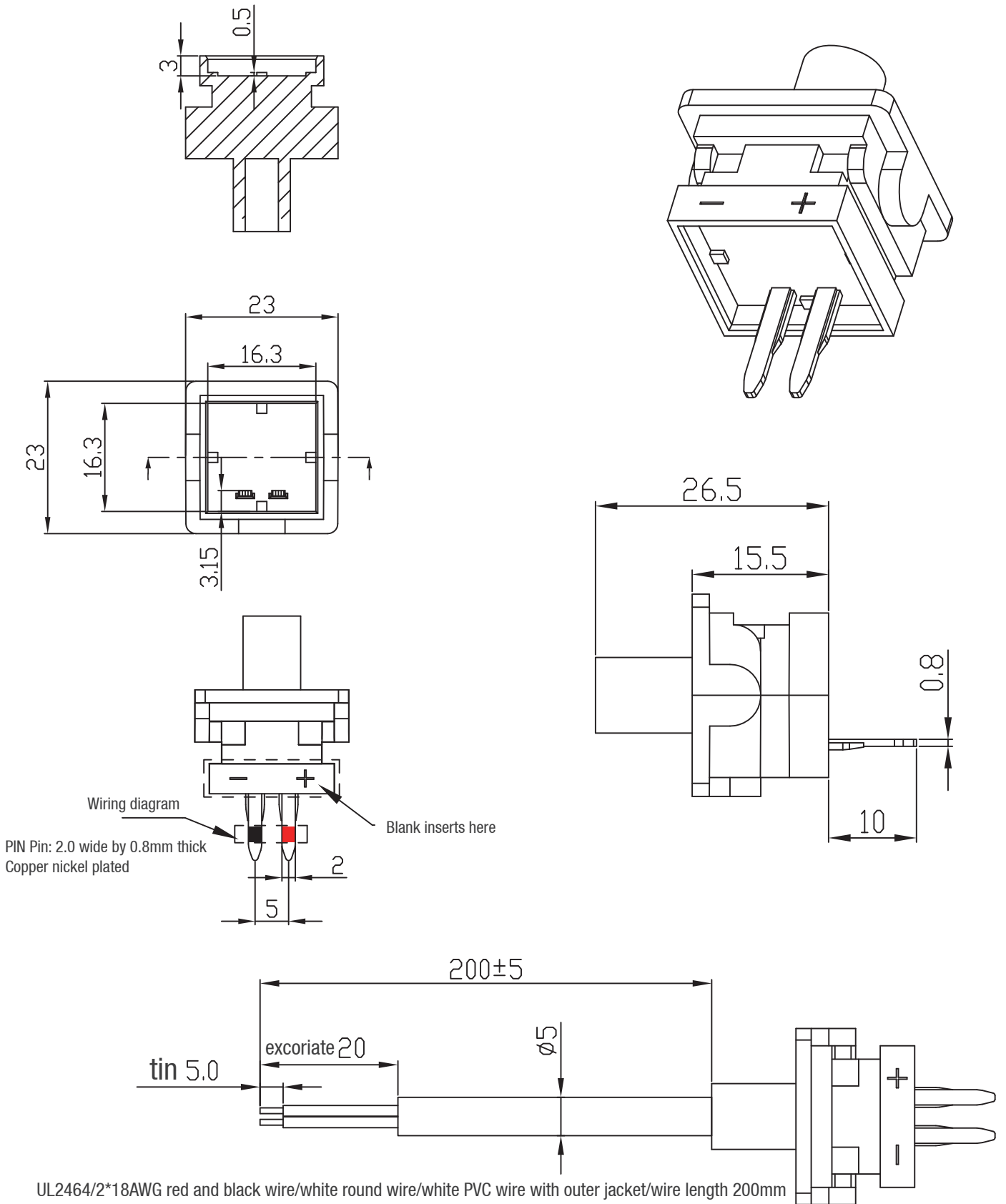
3021820-040 2P & 3021815-056 2P

- Accessory Specification -



3021820-040 2P Dimension

Unit: mm



3021815-056 2P Dimension

Unit: mm

Note: Both ends of the
PIN pin: width 2.0 thick 0.8mm Copper nickel plated

