

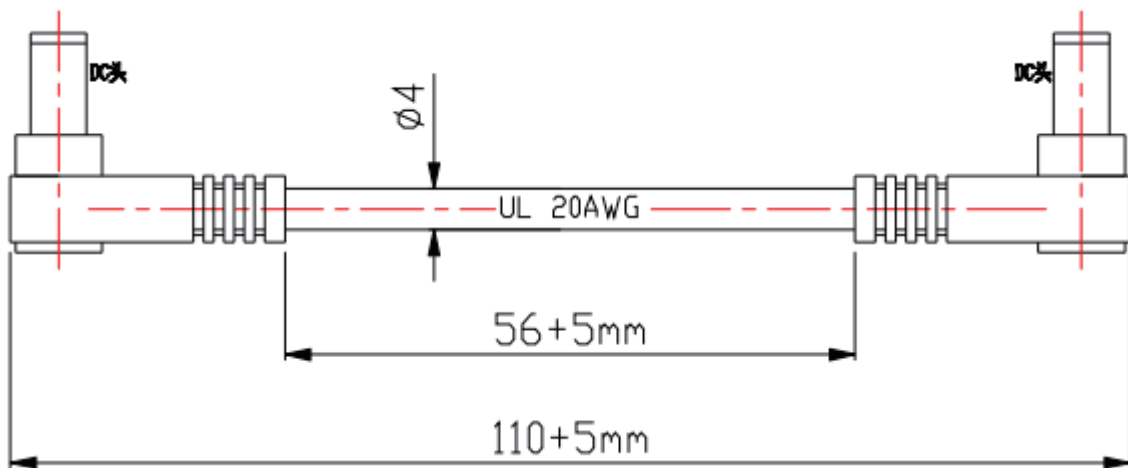
3021820-024 & 3021820-028

- Accessory Specification -



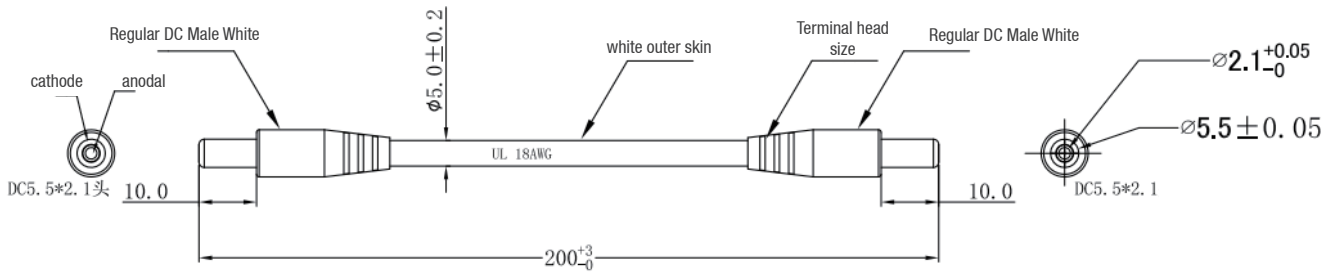
3021820-024 Dimension

Unit: mm



3021820-028 Dimension

Unit: mm



3021820-024 Cable – 18# DC connector cable – 200mm total length – 2 core white jacketed cable – 5.5*2.1 male connectors on both ends – UL numbered

